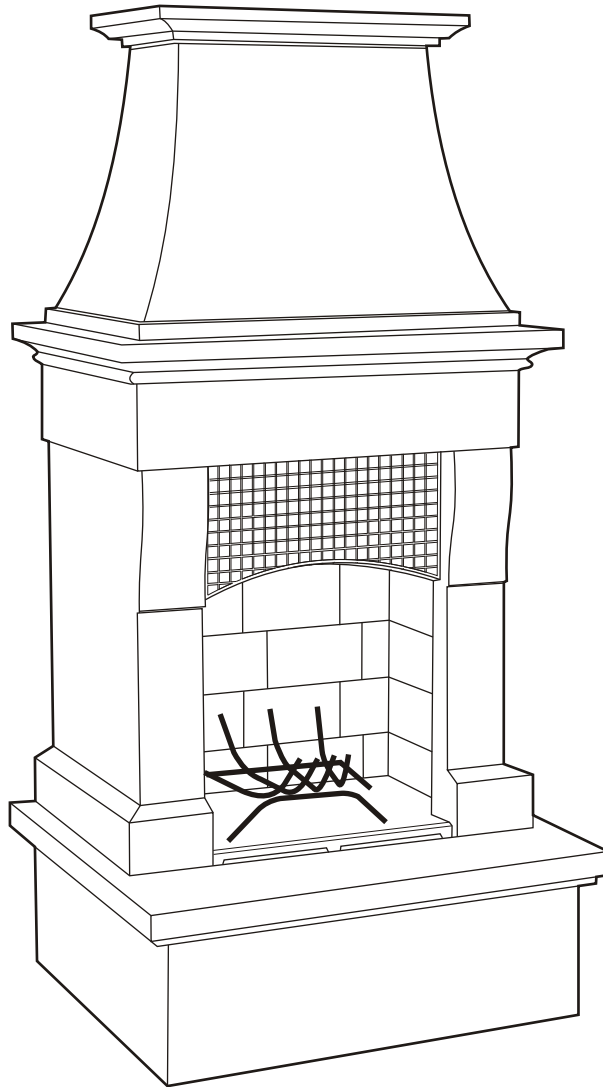


ASSEMBLY INSTRUCTION



FIRE PLACE

20.011.23 HEARTH

20.011.23 BODY

20.011.23 HOOD

MODEL NO. 20.011.23
ASSEMBLY INSTRUCTION

Thank you for purchasing this quality product. Be sure to check all packing material carefully for small parts which may have come loose inside the carton during shipment. Separate, identify, and count all parts and metal hardware. Compare with parts list to be sure all parts are present.

WARNING: This fire place is heavy in weight. You must use 4 people to assemble safely. Use caution when inserting body onto hearth (step 1) and hood onto body (step 4) to avoid injury of fingers.

WARNING: Do not overload grate with firewood

WARNING: Do not overload firebox with firewood

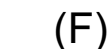
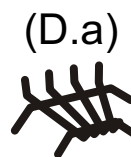
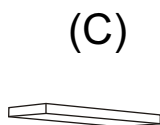
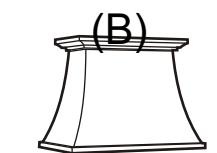
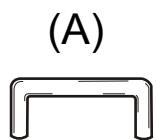
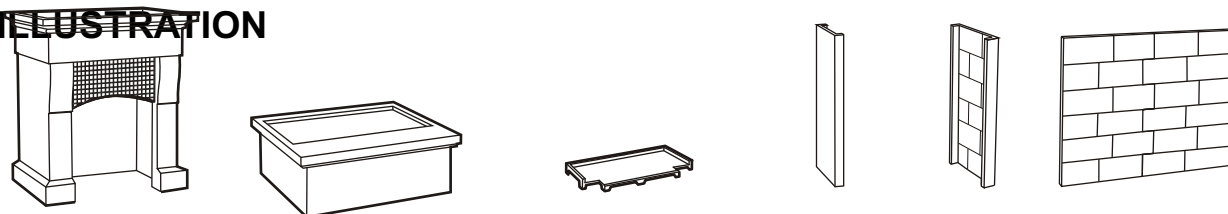
Important Note: Follow instructions listed below in the proper sequence as numbered to assure fast, easy and correct assembly.

Failure to assemble this fireplace in its entirety voids the warranty.

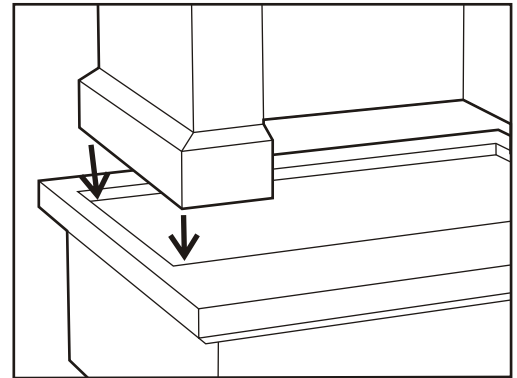
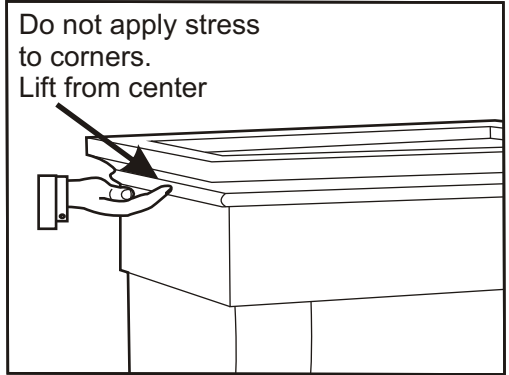
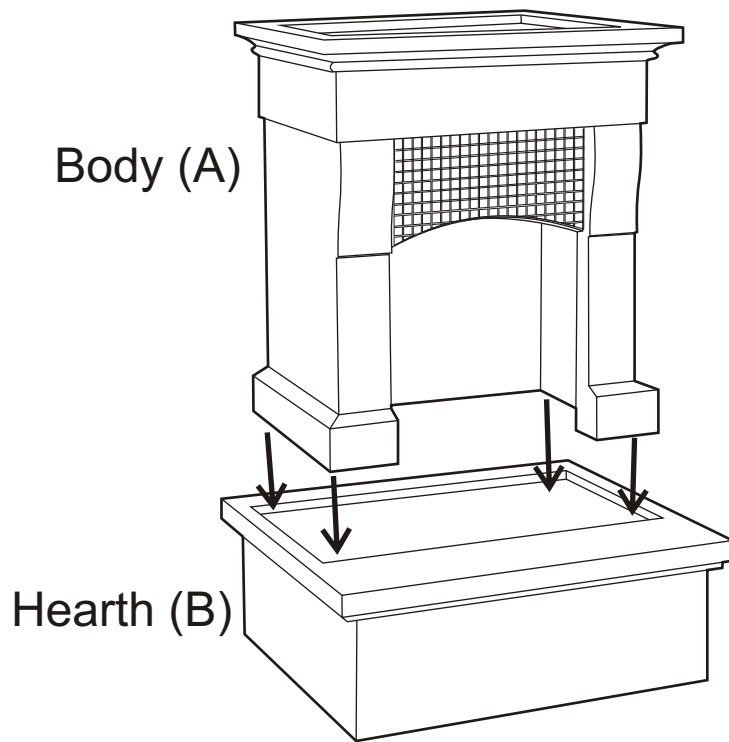
PARTS

- (A) BODY (1)
- (B) HEARTH (1)
- (C) BASE INSULATOR (1)
- (D) SIDE INSULATOR (2); a. RIGHT INSULATOR
b. LEFT INSULATOR
- (E) BACK INSULATOR (1)
- (F) LOCKING CLIPS (2)
- (G) HOOD (1)
- (H) SPARK ARRESTER (1)
- (I) GRATE (1)

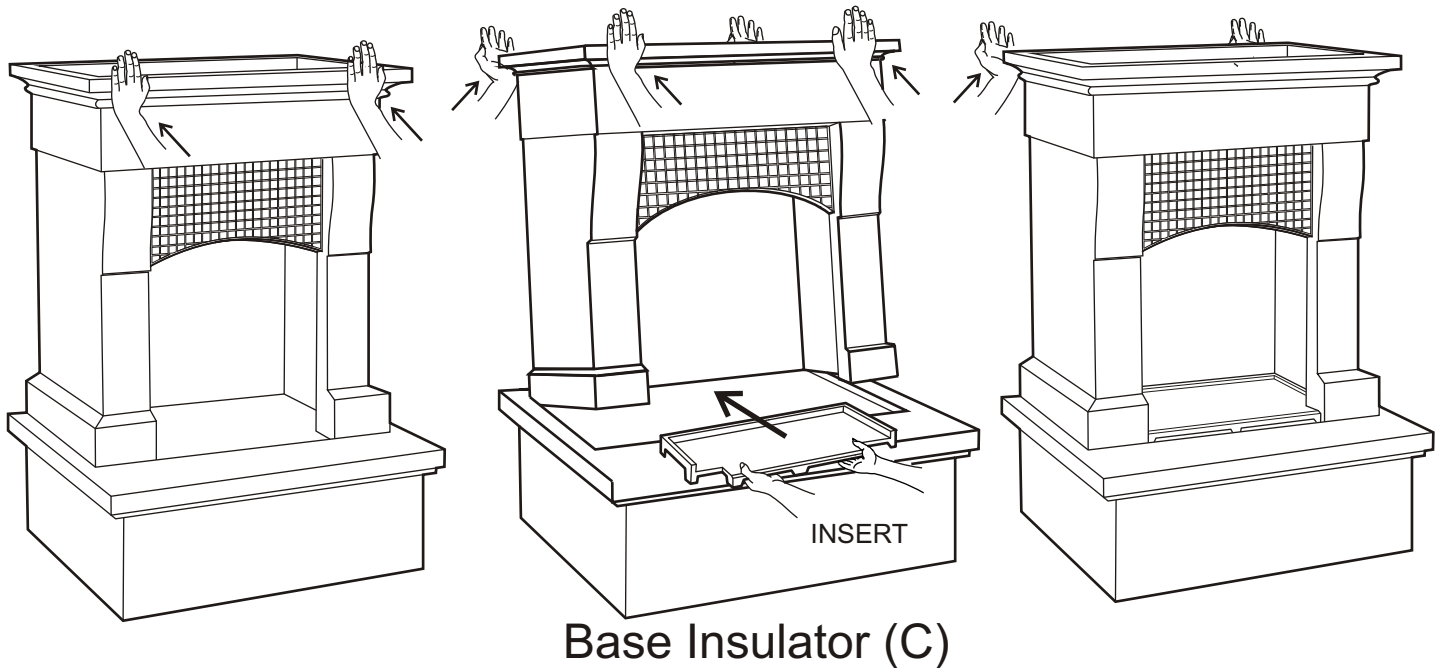
ILLUSTRATION



STEP I : Insert Body onto Hearth



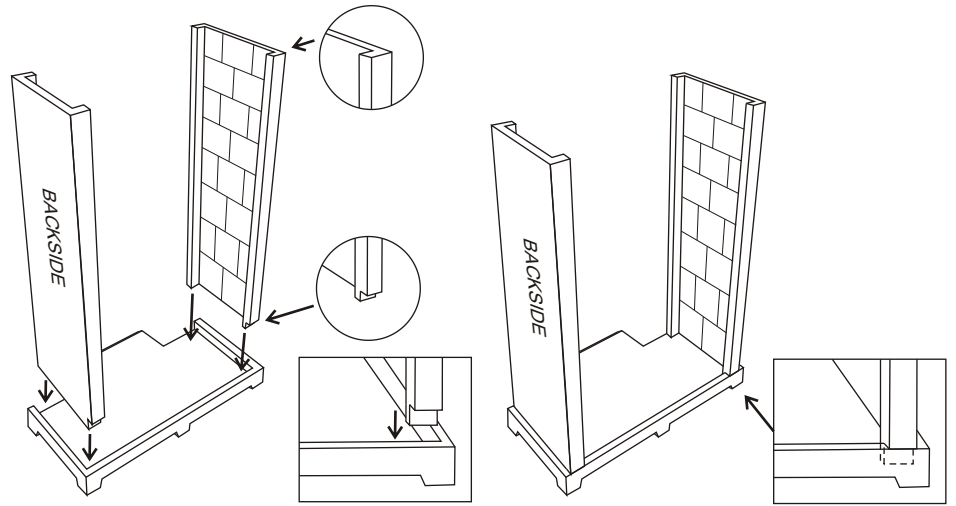
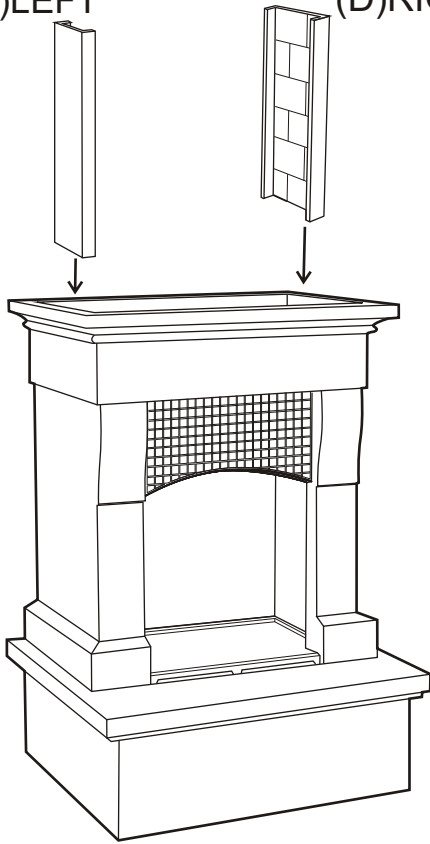
STEP II : Insulator System Installation



This step will require 3 people. With one person holding the rear top of body and another person raising the body from front. Have the third person insert the liner base into the fire box.

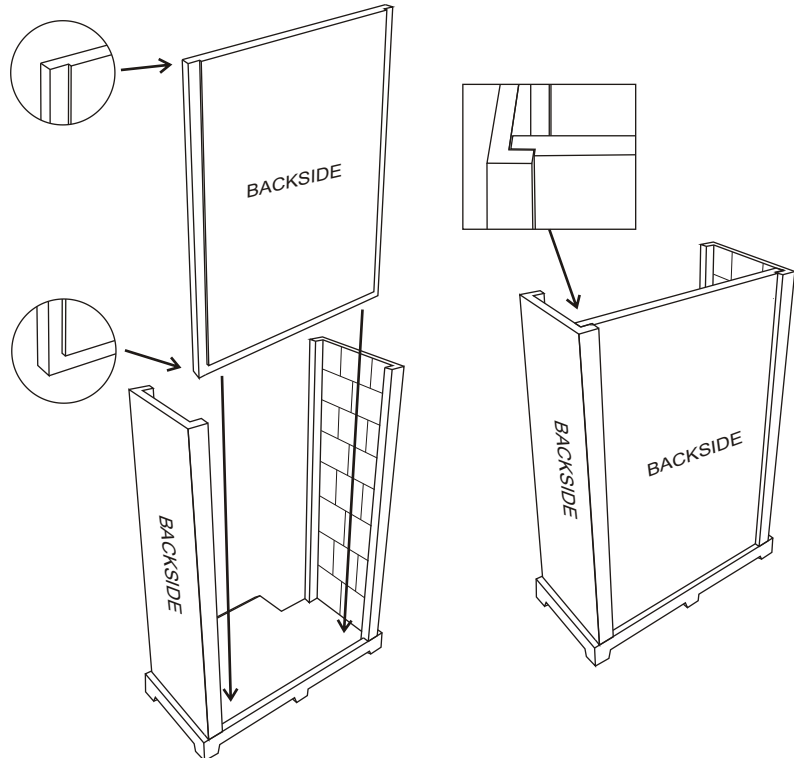
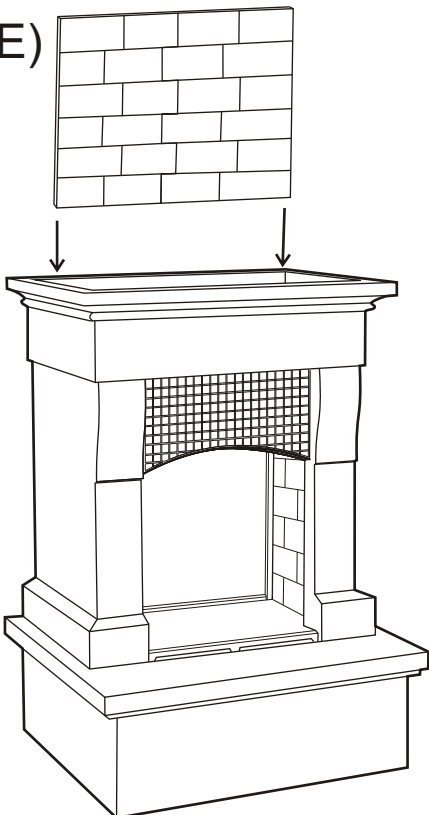
(D)LEFT

(D)RIGHT



Side Insulator (D)

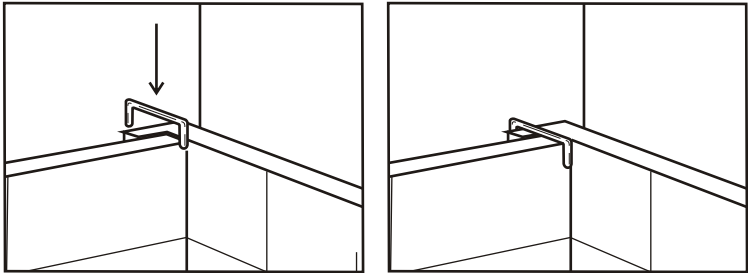
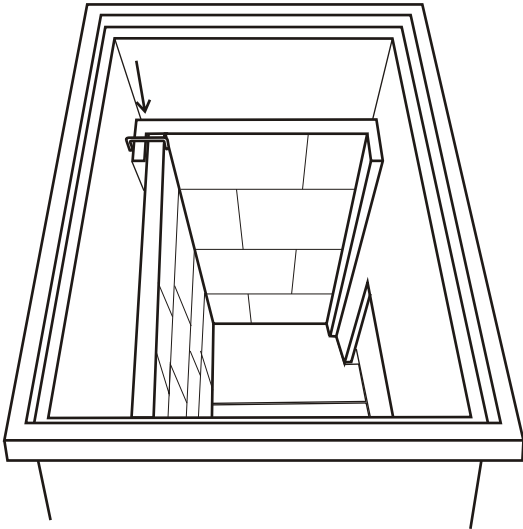
(E)



Back Insulator (E)

Important: All side labeled "BACKSIDE" must face inside walls of fireplace body. The unit will not assembly correctly if this is not done.

STEP III : Installing The Lock Clips



Hardware:
Locking Clips (F) : 2 pcs



STEP IV : Insert Hood onto Body

