

realflame[®]
ventless gel fireplaces and accessories

Fireplace Model #7100



Instruction Manual

Instructions and warnings for use



Welcome to the Real Flame® family of gel fuel products. If you have any questions please call customer service at **1-800-654-1704** or log on to **www.REALFLAME.com**.

STOP!

If parts are missing or damaged, call **1-800-654-1704** for assistance

WARNINGS

1. Fireplace is designed to be used with Real Flame® gel fuel only. Do not use with any other gel fuel or any other flammable liquid or gel.
2. Read entire label and instructions before using Real Flame gel fuel.
3. Make sure fireplace is set on a flat, level and stable surface. Keep fireplace stable at all times.
4. Make sure fireplace and gel fuel are burned on a flat and level surface.
5. Never leave a burning fire unattended, especially around children or pets.
6. Fireplace is not to be operated by children. Keep away from children and pets.
7. Exercise the same precautions as you would with any open fire.
8. When in use some surfaces will be hot, use caution.
9. Never touch logs, gel fuel cans or any other metal surfaces during or immediately after burning gel fuel. They will be extremely HOT. Allow them to cool for 60 minutes before touching.
10. Do not burn more than three cans of fuel at once.
11. Do not place more than 15 lbs. of weight on the top of the fireplace at anytime.
12. Do not alter fireplace, metal firebox or log set in any manner.
13. Keep fireplace and gel fuel cans away from flammable materials at all times.
14. Do not store or use gasoline or any other flammable vapors, liquids, or materials in the vicinity of fireplace and gel fuel.
15. Do not wear flammable or loose clothing when operating the fireplace.
16. Do not move fireplace while in use. Do not attempt to move or store the fireplace until 60 minutes after gel fuel cans have been extinguished.
17. Do not burn trash, paper, or wood in the fireplace. Burn only Real Flame® gel fuel in the fireplace.
18. Do not burn gel fuel outside designated burn areas on the metal grate.
19. Do not put fireplace in an area with lots of traffic, such as a hallway or entryway.
20. In case of an emergency use a CO2 extinguisher to extinguish the fire.
21. Death, serious injury or damage to property may occur if the warnings above are not followed.
22. If for any reason you cannot follow these warnings please call us at 1-800-654-1704.

NOTICE: Buyer assumes all responsibility for safety and use that is not in accordance with instructions and warnings.

Using your Fireplace

- Follow all instructions included with gel fuel before use.
- Before using Fireplace make sure you have read and understand the step-by-step instructions.
- During the initial burn you may experience a slight odor. This odor is temporary and will be absent on following burns.



7100 Ashley Instructions



Parts List

Number	Description	Part Number	Quantity
1	Base	7101-G	1
2	Left Side Panel	7102-G	1
3	Right Side Panel	7103-G	1
4	Left Trim Panel	7104-G	1
5	Right Trim Panel	7105-G	1
6	Center Panel	7106-G	1
7	Mantel Top	7107-G	1
8	Left Firebox Trim	7108-G	1
9	Right Firebox Trim	7109-G	1
10	Top Firebox Trim	7110-G	1
11	Bottom Firebox Trim	7111-G	1
12	Firebox Support	7112-G	1

Not shown



Before assembly, locate instructions and hardware. Take out all parts and compare them to the photograph and the assembly illustrations. Be sure you have all parts identified.

Check for screws that are wrapped in the packaging to be sure you don't discard them. You may have extra screws.

A helping hand is always good. Assemble fireplace with an adult assistant if possible.

The cement log is heavy. Put the fireplace in the desired location before inserting cement log.

Use caution not to over tighten screws.

Step One

Figure 1

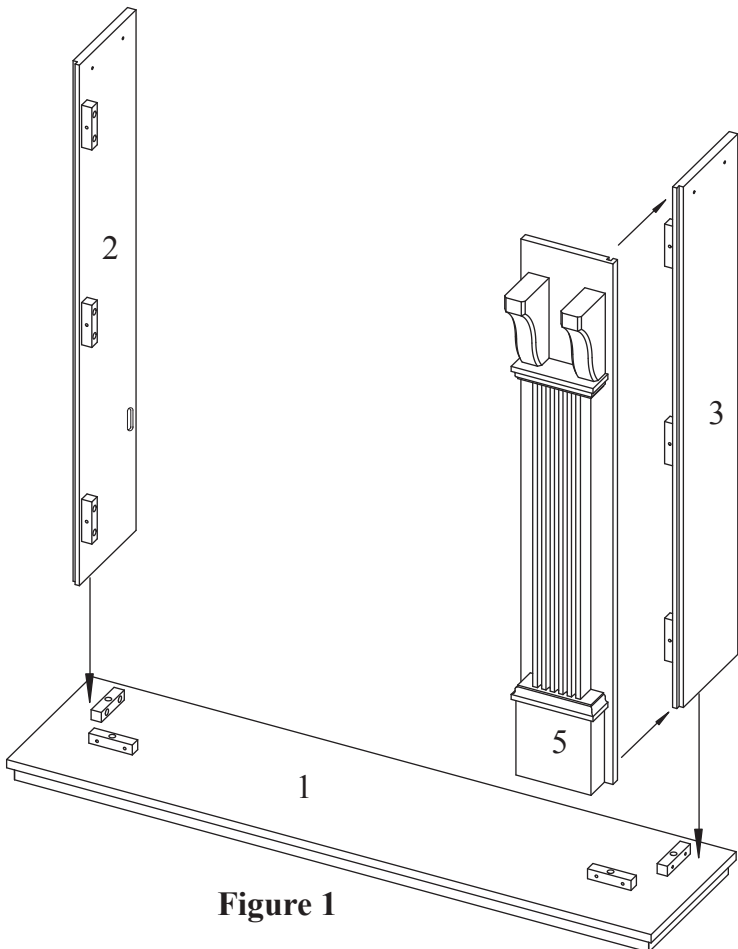


Figure 1

- Set Base (1) on a flat surface.
- Place Left Side Panel (2) upright on the outer side of mounting block on base.
- Align Side Panel flush with the back of the unit. Attach with a 1" phillips screw through the mounting block.
- Repeat process using Right Side Panel (3).
- Align the Right Trim Panel (5) with the Right Side Panel (3) using the tongue and groove. Attach panel together through each of the three mounting blocks on Right Side Panel followed by the one mounting block on the Base using three 1" phillips screws.
- Repeat process using Left Trim panel (4) (not pictured).

Step Two

Figure 2

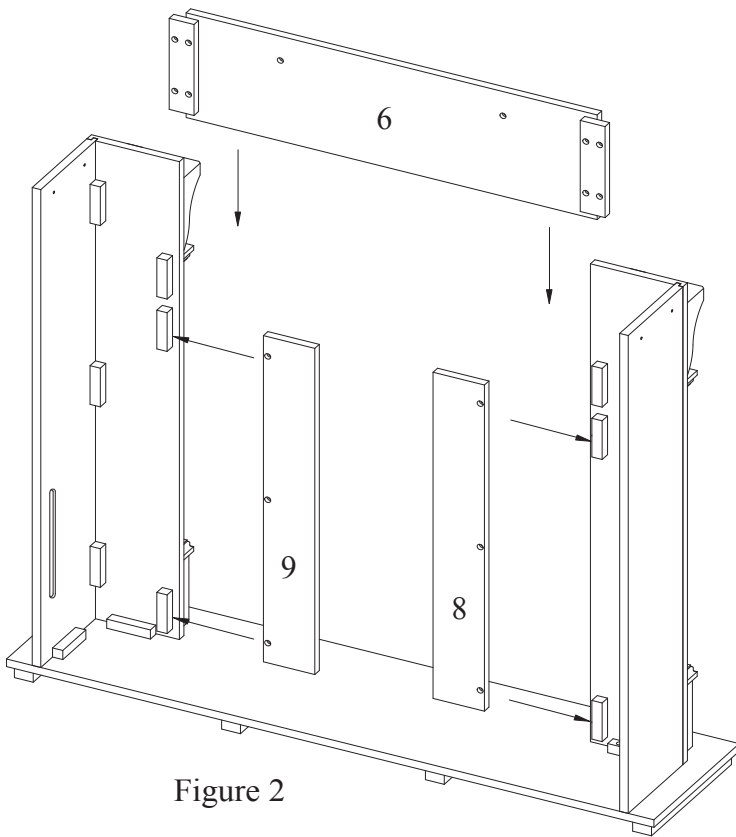


Figure 2

- Turn unit so you are looking at the back of it.
- Place the Left Firebox Trim (8) against the two mounting blocks located on the back of the Left Trim Panel. Attach trim through three holes in trim using 1" phillips screws.
- Repeat with Right Firebox Trim(9).
- From the top of unit slide Center Panel (6) between the Left and Right Trim panels. Align the top of the Center Panel so it is flush with Tops of the Left and Right Trim Panels. Attach through four holes in mounting strips on both sides using 1" phillips screws.

Step Three

Figure 3

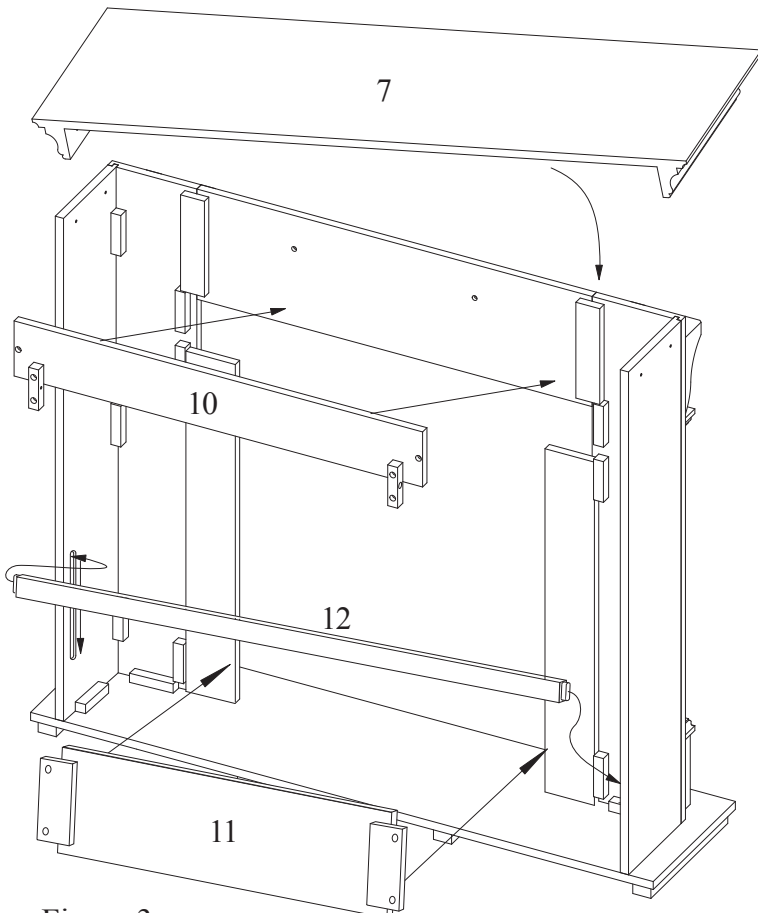


Figure 3

- Place the Top Firebox Trim(10) so mounting blocks on trim overhang the backs of the Left and Right Side Firebox Trim. Fasten Trim through holes on each end of the trim, then fasten through mounting blocks on each end of the trim using 1" phillips screws.
- Repeat with Bottom Firebox Trim (11) by placing on the base between the Left (8) and Right (9) Trim Panels and attaching with 1" phillips screws.
- Insert Firebox Support (12) into slot in Left side panel (2) then into the long slot on the Right panel (3) making sure it rests at it's lowest position.
- Set Mantel Top (7) onto top of unit so trim on Top overhangs front and Sides.
- First attach top through two holes in the center panel, then proceed to attach through the holes on each side of the trim panels using 1" phillips screws.

You are now ready for the firebox installation. Please refer to the instructions that are included with your firebox.